



# LED LINEAR LIGHTING **LED FASTFIX S**



PRODUCT WORLD



PRODUCT WORLD

**ISOLED®**

CUSTOMISED LIGHT SOLUTIONS

## LED FASTFIX S

### The modular LED linear system of ISOLED®

The modular LED linear system FASTFIX S by ISOLED® which convinces with click and quick locking systems with almost tool-free installation and is expandable with a current feed of up to 10 amps per phase. This corresponds to a continuous light line of 150 m (3-phase feed).

### FLICKERFREE

TÜV certified and FLICKERFREE (at 100% full load), the new FastFix S LED linear system provides sustainable, economically efficient and shadow-free light lines for commercial and industrial requirements.

### 130 Lumen/Watt

The high-quality LED boards with 33 powerful high-end LED chips each provide up to 130 lumens/watt and are also dimmable! Interchangeable lenses with different beam angles direct the light to where it is needed.

With permanent power regulation via jumper setting on the included power supply unit or with a dimmer (e.g. SYSONE radio/push dimmer from ISOLED® art. no. 112711) continuously dimmable via a 1- 10 V control signal.

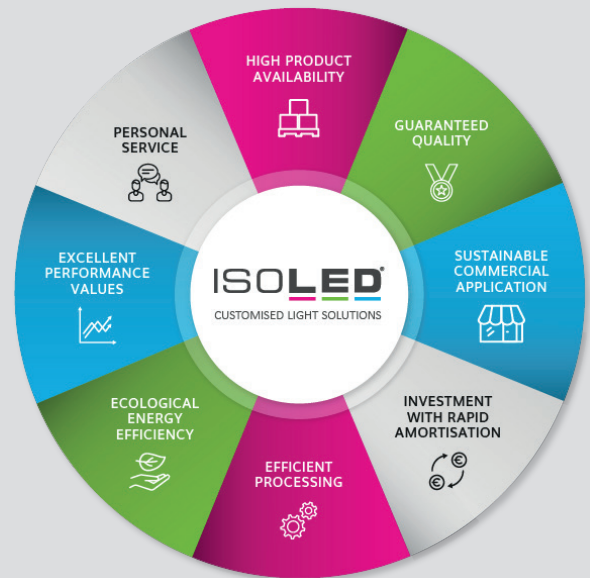
## CUSTOMISED LIGHT SOLUTIONS

SUSTAINABLE EFFICIENCY IMPROVED WITH SMART LED LIGHTING CONCEPTS

ISOLED® offers a standardized LED product range with over 2,200 branded items in

- » best and guaranteed quality,
- » with the greatest possible ecological energy efficiency,
- » with personal service and
- » efficient processing,
- » in a fair price-performance ratio,

with which future-oriented LED lighting solutions as well as intelligent LED lighting concepts with short amortisation times can be realised.



## 99% of our customers and partners recommend ISOLED® !



### Top Service und Beratung

Mit ausgezeichneter Produktqualität, persönlicher Beratung und erstklassigem Service schaffen wir klare Wettbewerbsvorteile.



### Hohe Produktverfügbarkeit

Wir bieten ein breites Sortiment mit mehr als 2.200 hochwertige Markenartikel mit sofortiger Verfügbarkeit.



### Lieferung zu 95% am nächsten Werktag

Für gewöhnlich sind wir in der Lage, alle Bestellungen, die an Werktagen bis 11 Uhr eingehen, noch am selben Tag zu versenden.



## LED FASTFIX S

### Sustainable lighting solution

The concept of the LED linear system FastFix S is based on an expandable modular design, an installation that integrates into the architecture and protects the building structure as well as a sustainable retrofitable lighting solution. Connectors, steel suspensions (cable, chain, clips), termination modules as well as feed adapters complete the LED linear system of ISOLED®.



#### 3-phase track spotlight can be integrated

3-phase track spotlights can be integrated into this integral linear system. Beams with 3-phase track are simply and easily inserted into the FastFix SLinear system.

### APPLICATION AREAS

- » Sales and exhibition areas
- » Supply and technical rooms
- » Connecting rooms and corridors
- » Wholesale and retail (supermarkets, shopping centres, outlet centres)
- » Picking stations in logistics centres and Warehouses/rooms



The picture shows a 7-pole power supply adapter:

7 x 2,5mm<sup>2</sup> (3xL / 1xN / 1 x PE / 1 x Dim+ / 1x Dim-) incl. quick-installation terminal on each conductor, current feed on adapter socket of the bar holders Art. No. 112955/112956

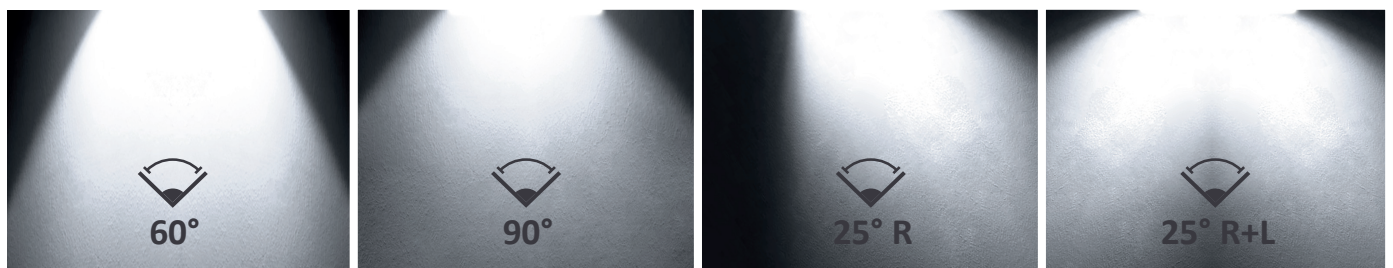


The modular design of the LED linear system FastFix S with its connectors allows a direction-independent lighting concept that integrates into the architectural specifications. Uncomplicated, tool-free mounting with click and quick locking systems.

### Upgrading and retrofitting of existing linear systems

Modules of the LED linear system FastFix S can be supplied adapted for mounting in mounting beams of already existing linear systems of other manufacturers.

These manufacturers and their brands, which are compatible with FastFix S and can therefore be equipped, can be found out from your personal contact at ISOLED®. We will be happy to provide you with an offer with the best project solution for your linear system!

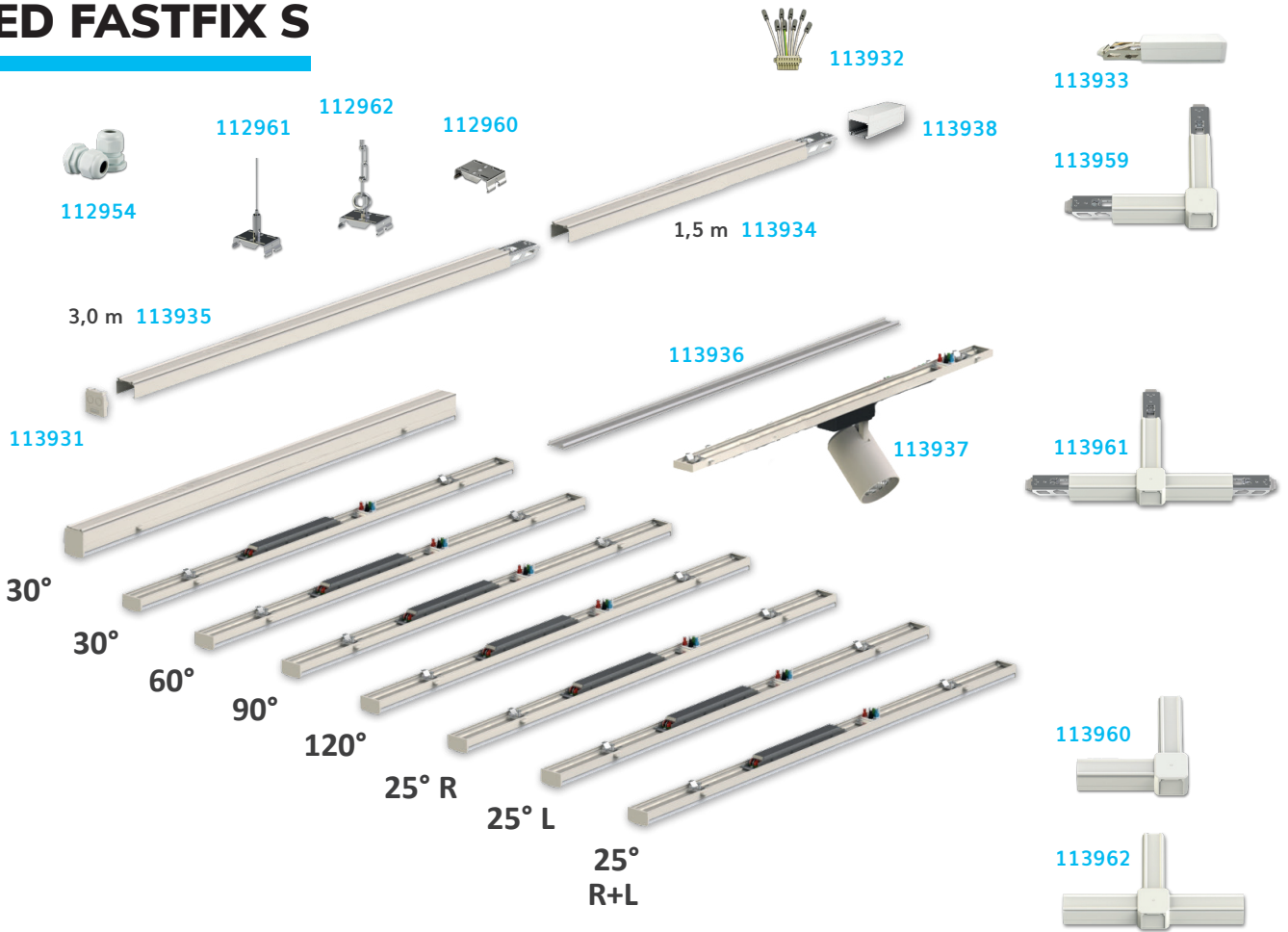


**Targeted use of light for an economically and ecologically efficient lighting concept!**

The 1.5 m long modules of the LED linear system FastFix S as well as the corresponding replacement lenses are available with different beam angles.



# LED FASTFIX S



## MODULES 1,5m 25- 75 W | 1- 10 V dimmable

<input type="radio"/> 113943	<input type="radio"/> 113939	<input type="radio"/> 113941	<input type="radio"/> 113951
<input type="radio"/> 113944	<input type="radio"/> 113940	<input type="radio"/> 113942	
<input type="radio"/> 113945	<input type="radio"/> 113947	<input type="radio"/> 113949	
<input type="radio"/> 113946	<input type="radio"/> 113948	<input type="radio"/> 113950	

## LINEAR LIGHT 1,5m 25- 75 W | 1- 10 V dimmable

<input type="radio"/> 113971	<input type="radio"/> 113994
<input type="radio"/> 113972	

## MODULE 1,5m EMERGENCY POWER FUNCTION 25- 75 W | 1- 10 V dimmable 113953

Incl. integrated Li-ion battery with up to 3 hours runtime at 10 W | 2,200 mAh | 7.92 Wh



This product is a project item where various parameters such as color temperature, lens or beam angle etc. can be individually selected for a customized lighting solution Please contact your competent LED professional from ISOLED®.

## REPLACEMENT LENS

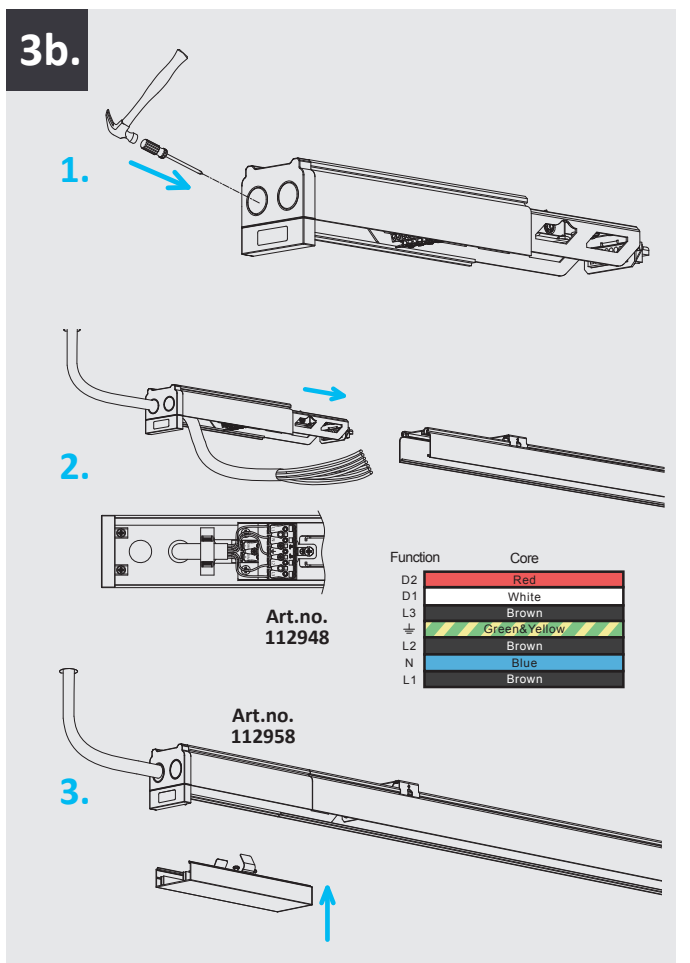
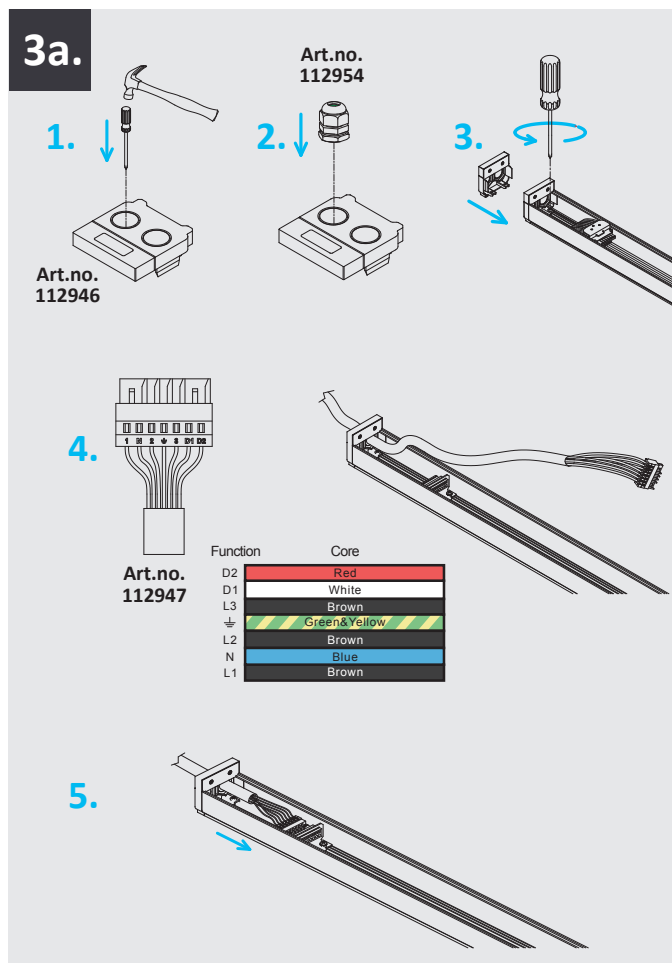
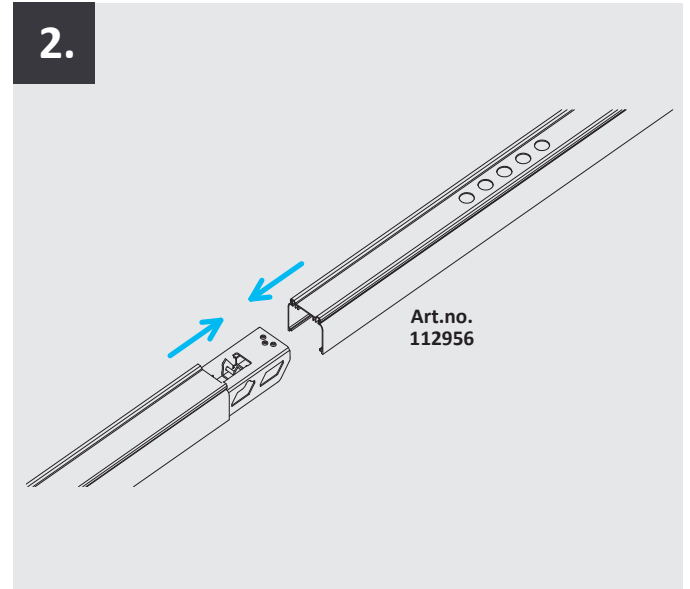
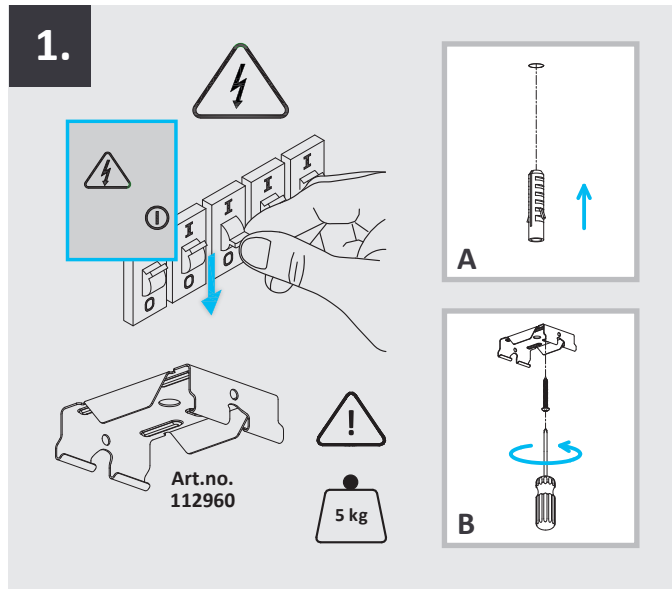
The FastFix S modules can be equipped with the following replacement lenses:



30°	60°	90°	25° R	25° L	25° R+L
113954	113955	113956	113957	113957	113958



# CLIP MOUNTING | FASTFIX S

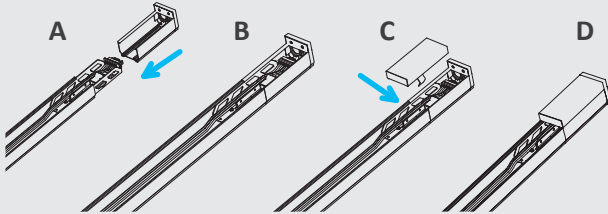




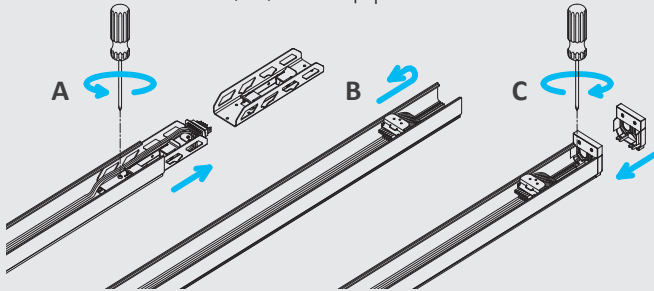
## CLIP MOUNTING | FASTFIX S

### 4. 2 options:

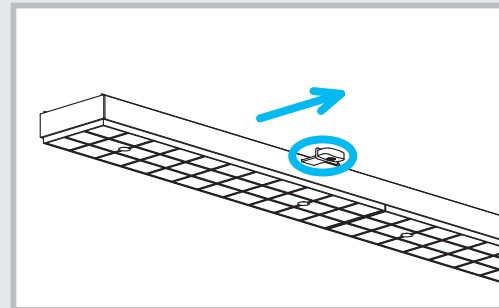
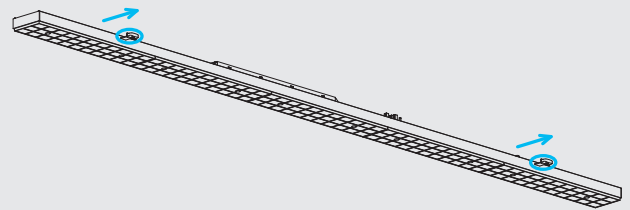
#### 1. Finish 1: Aluminium Box | Item no. 112958



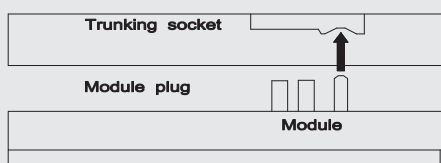
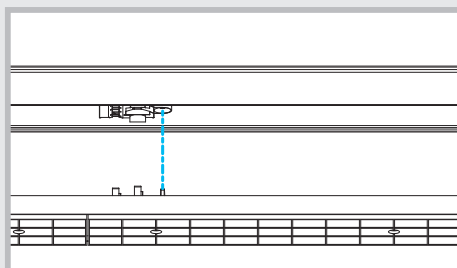
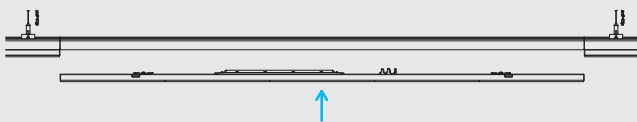
#### 2. End 2: Plastic (PC) End cap | Item no. 112946



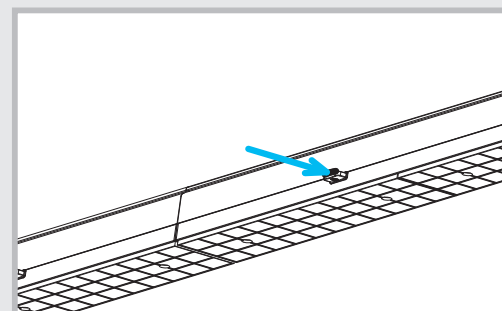
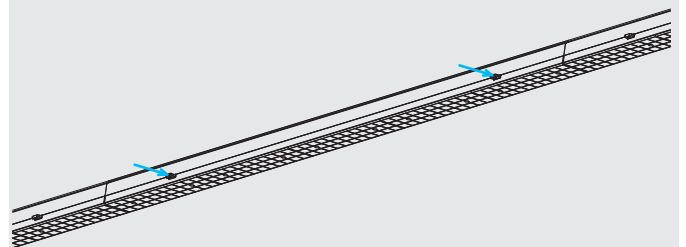
### 5.



### 6.

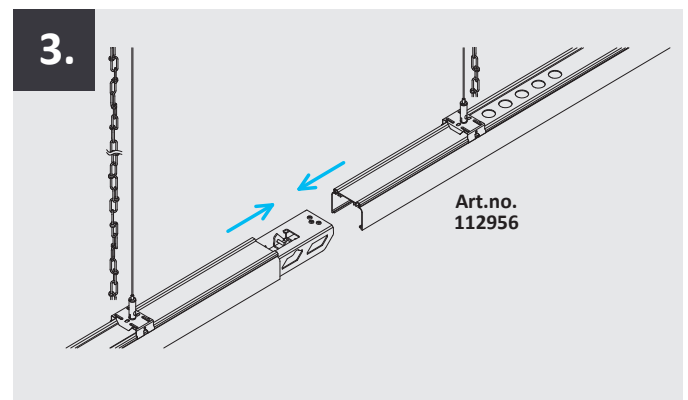
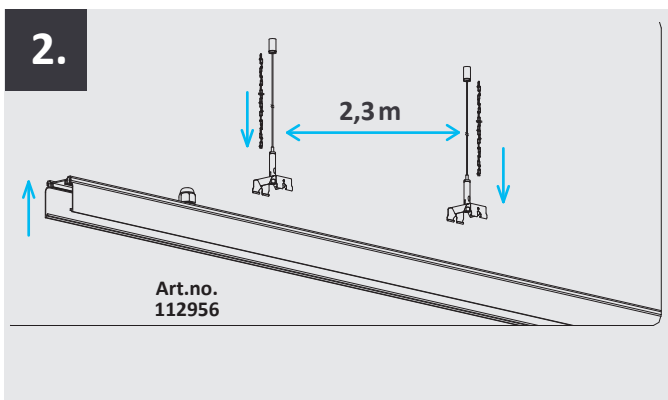
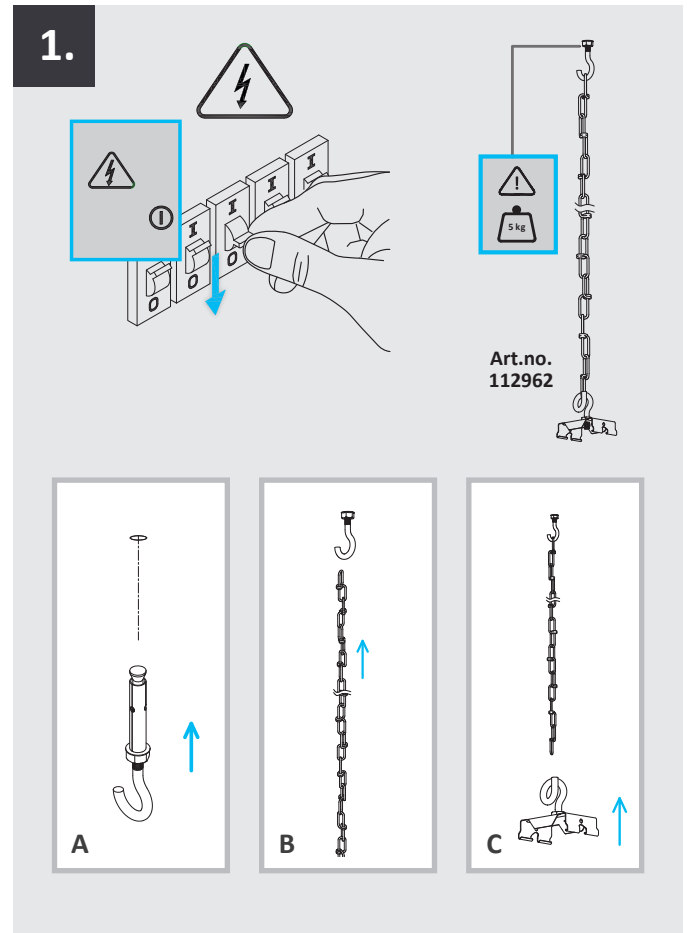
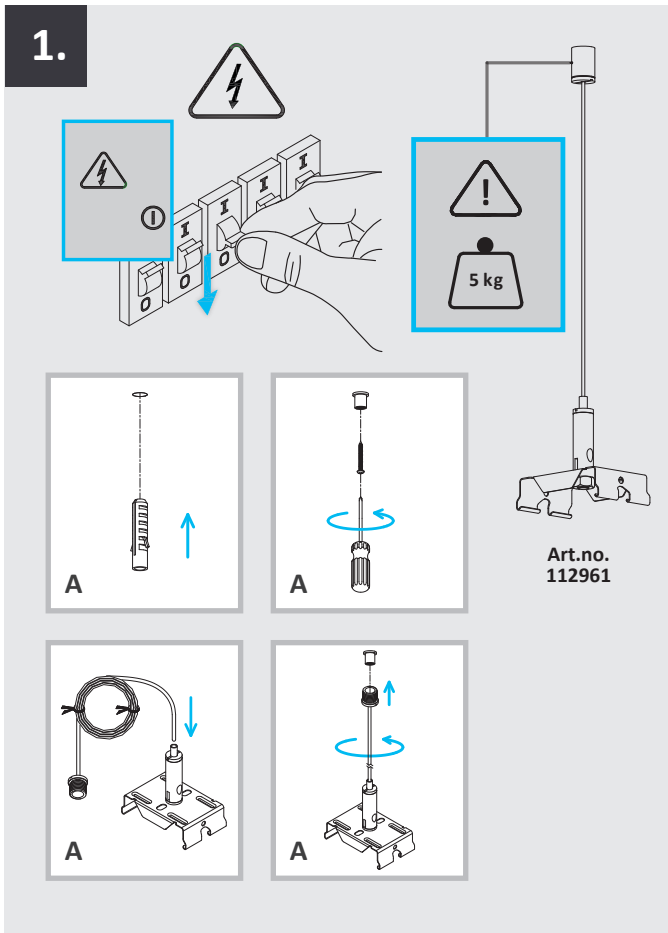


### 7.



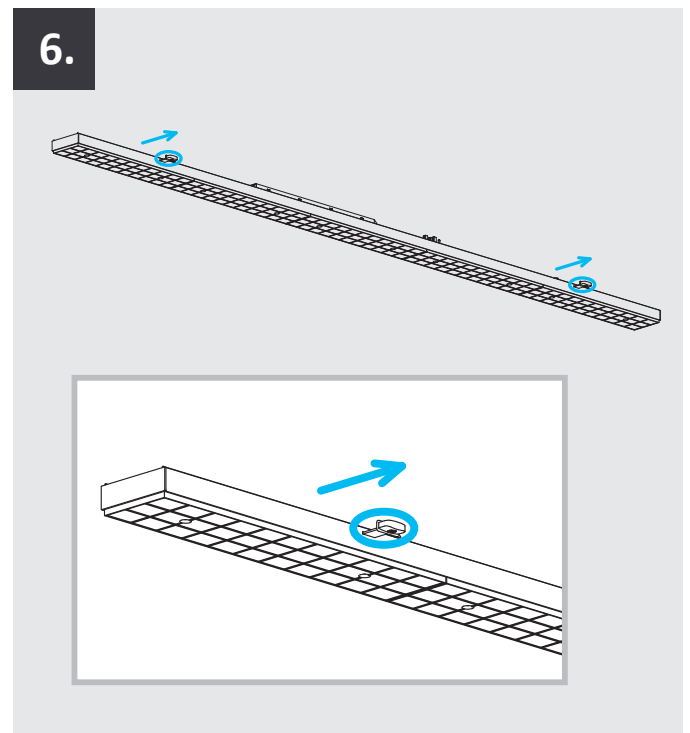
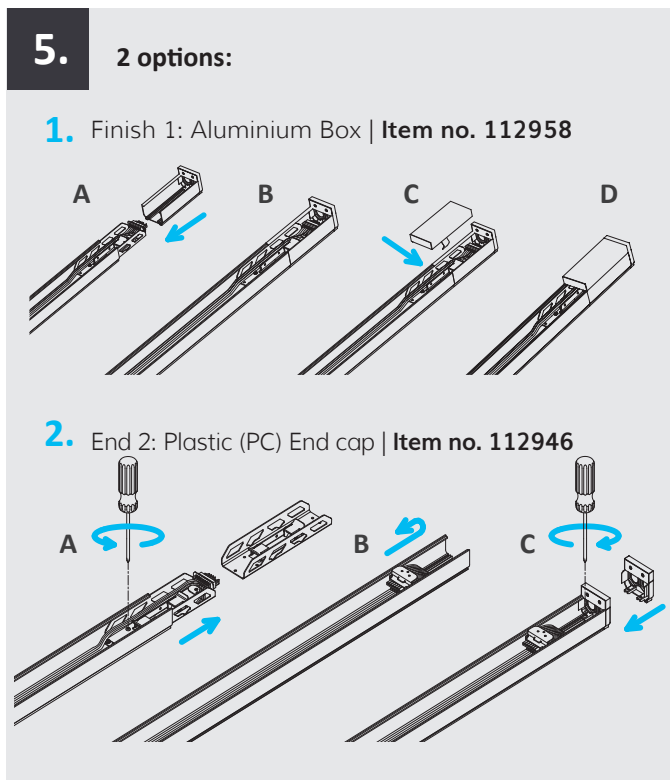
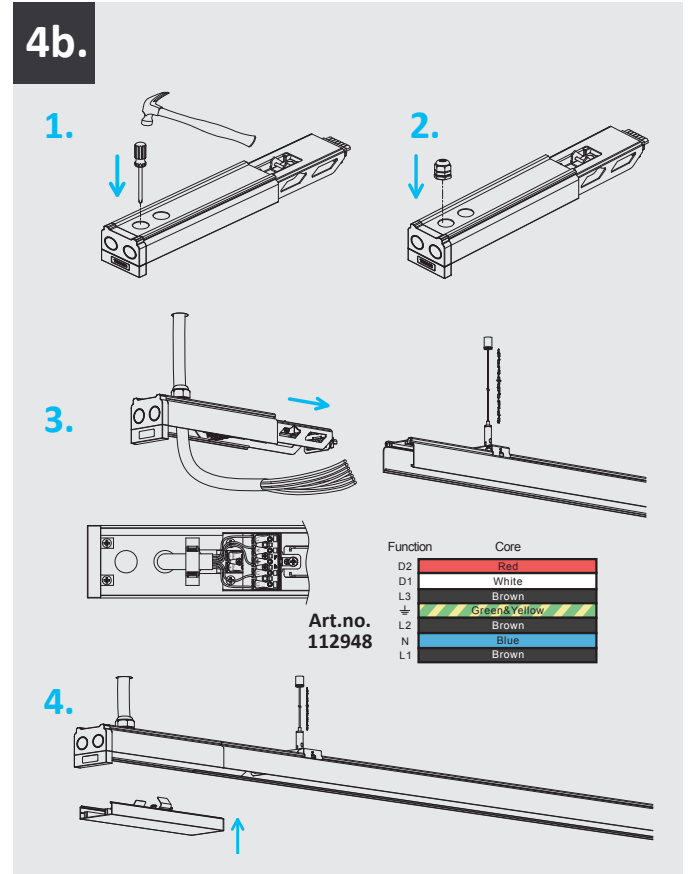
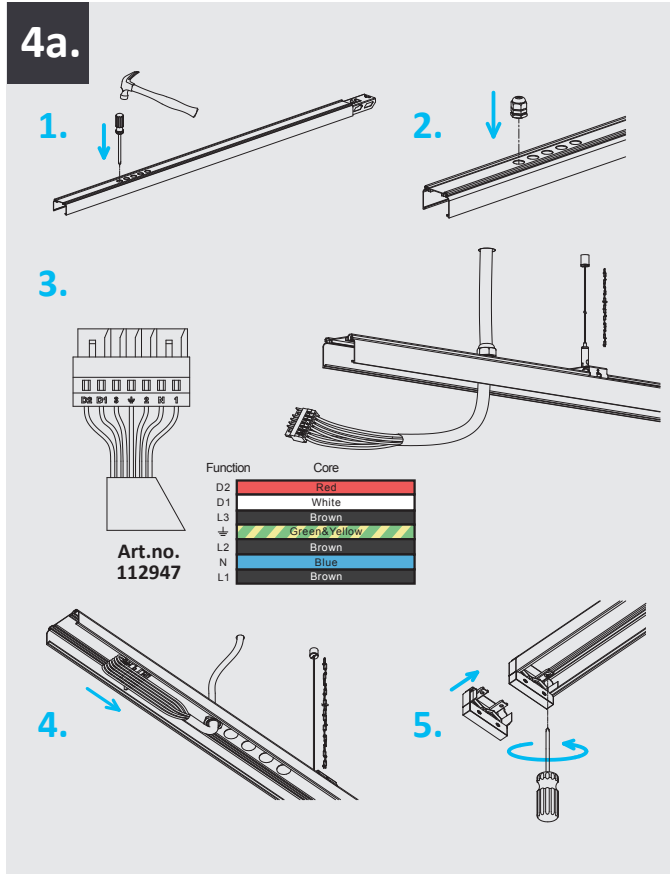


# ROPE-CHAIN MOUNTING | FASTFIX S





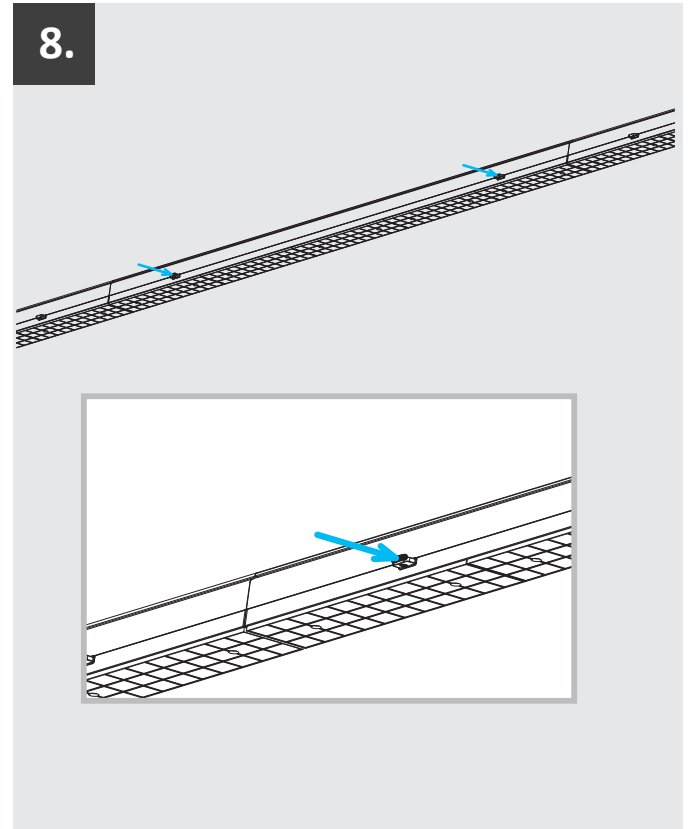
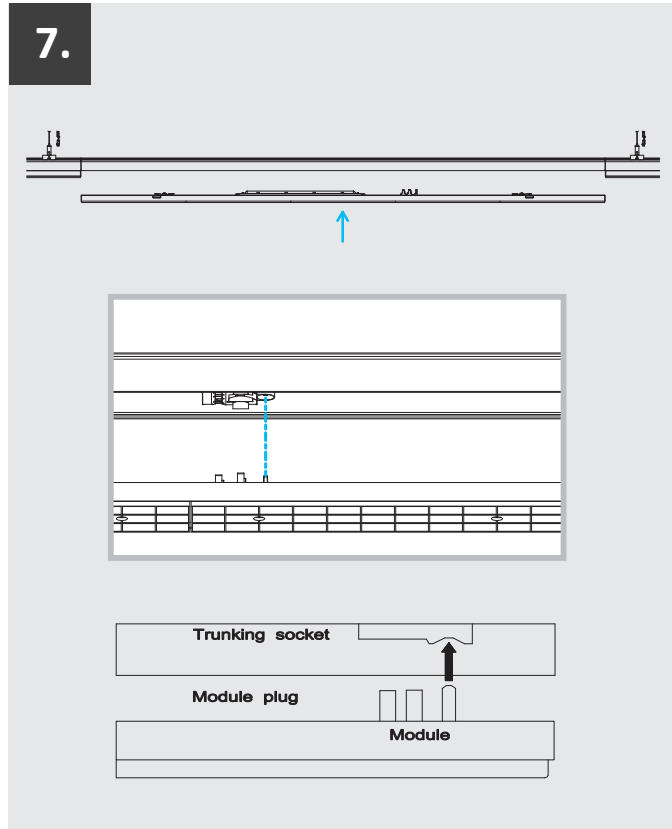
# ROPE-CHAIN MOUNTING | FASTFIX S







## ROPE-CHAIN MOUNTING | FASTFIX S



# YOUR PARTNER

ISOLED<sup>®</sup> SINCE 2008



**ISOLED<sup>®</sup> AUSTRIA**  
FIAI Handels GmbH  
Egerbach 48  
A-6334 SCHWOICH  
AUSTRIA

Tel: +43 5372 219 999  
Email: [office@isoled.at](mailto:office@isoled.at)  
[www.isoled.at](http://www.isoled.at)



**ISOLED<sup>®</sup> GERMANY**  
FIAI Trading GmbH  
Hollerweg 3  
D-85649 BRUNNTHAL  
GERMANY

Tel: +49 228 30 43 89  
85  
Email: [office@isoled.at](mailto:office@isoled.at)  
[www.isoled.de](http://www.isoled.de)



**ISOLED<sup>®</sup> SWITZER-  
LAND**  
Allegra Swiss GmbH  
Einsiedlerstrasse 15a  
CH-8834 SCHINDELLEGI  
SWITZERLAND

Tel: +41 44 787 04 75  
Email: [info@isoled.ch](mailto:info@isoled.ch)  
[www.isoled.ch](http://www.isoled.ch)



**ISOLED<sup>®</sup> HUNGARIA**  
ISOLED<sup>®</sup> HUNGARIA  
Kft.  
Hunyadi utca 18  
H-8997 Zalaháshágy  
HUNGARY

Tel: +36 20 256 1339  
Email: [info@isoled.hu](mailto:info@isoled.hu)  
[www.isoled.hu](http://www.isoled.hu)